

Nominal data

Type 5314 /2TD HHP

Nominal voltage	VDC	24
Nominal voltage range	VDC	16 .. 36
Speed	min ⁻¹	7000
Power input	W	67
Min. ambient temperature	°C	-20
Max. ambient temperature	°C	70
Air flow	m ³ /h	490
Sound power level	B	8.1
Sound pressure level	dB(A)	75

ml = Max. load · me = Max. efficiency · fa = Running at free air · cs = Customer specs · cu = Customer unit
Subject to alterations

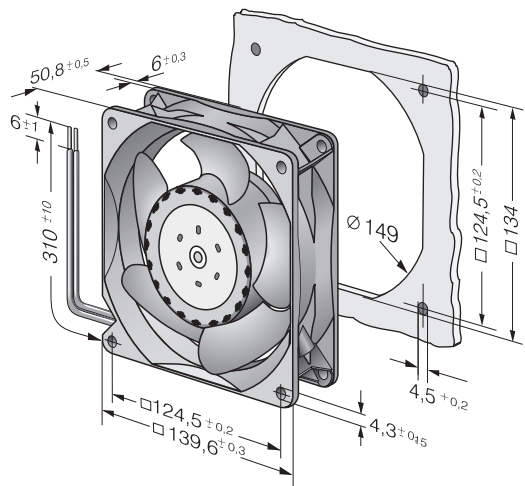
Technical features

General description	Free air power consumption, these values may be considerably higher at the operating point.
Impeller material	Fibreglass-reinforced plastic (PA)
Mass	0.900 kg
Dimensions	140 x 140 x 51 mm
Housing material	Die-cast aluminium
Direction of air flow	Inlet over bars
Direction of rotation	Counterclockwise, looking at rotor
Bearing	Ball bearings
Lifetime L10 at 40 °C	62500 h
Lifetime L10 at maximum temperature	30000 h
Connection line	With single strands AWG 20 and AWG 22, TR 64
Motor protection	Protected against reverse polarity and locking.

5314 /2TD HHP

DC axial compact fan

Product drawing



Charts: Air flow

